

## AFM-CW30RQ70 C

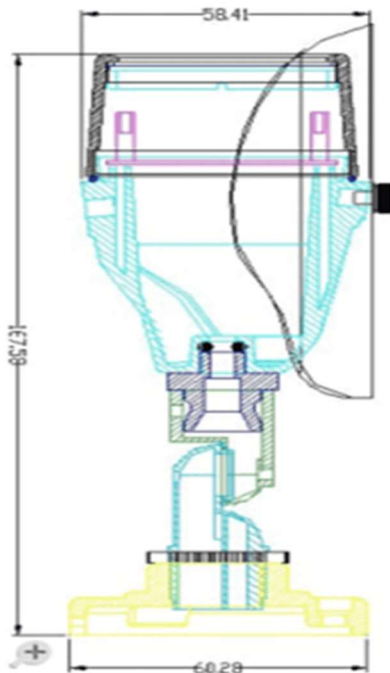
700TVL CMOS Waterproof IR color bullet camera



### Key Features

- 1/4" CMOS Sensor
- Illumination 0.1LUX@F1.2, 0 LUX with IR
- High resolution 700TVL image is clear delicate
- 12pcs  $\Phi 5$  IR LED, IR Distance:15M
- ICR cut, day and night control
- Lightning protection, IP66

### Dimensions (Unit :mm)



### Specifications

MODEL	AFM-CW30RQ70 C
<b>Camera</b>	
Image sensor	1/4"Color CMOS Sensor
Effective Pixels	640x480
S/N Ratio	More than 50dB
Horizontal	700TVL
Min. Illumination	Color : 0.1Lux@F1.2, 0Lux IR LED on
Electronic Shutter	1/50s~1/100,000s; 1/60s~1/100,000s
Lens	3.6/6mm optional
Video Output	CVBS/1.0Vp-p/75 $\Omega$
Sync System	Internal
IR LED	15M ;24pcs $\Phi 5$ IR LED
Day/Night	IR Cut AUTO Switch
White Balance	Auto
BLC	Auto
IR Distance	15m
<b>General</b>	
Power Supply	DC12V (AC24 optional)
Power Consumption	0.84W/2.64W (IR ON)
Working Environment	-20°C~+50°C
Dimension	$\Phi 60.28$ x 167.59mm
Weight	0.5kg

\* Specifications are subject to change without prior notice.