

AFM-CW27AT10 C

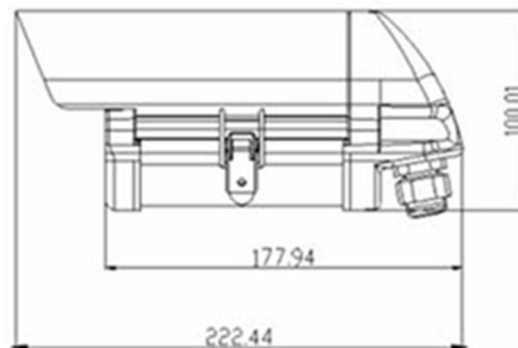
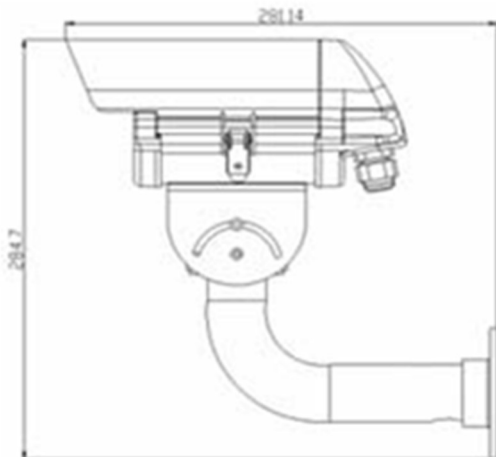
1000TVL Waterproof IR CCTV Camera



Key Features

- Illumination 0.01LUX@(F1.2), 0 LUX with IR
- High resolution 1000TVL image is clear delicate
- Support ICR IR filter automatically switches, automatic color to black day and night surveillance
- 4pcs 850nm IR-III LED, IR Distance: 80M
- Standard 4~9/6~22mm manual zoom change times focal lens
- Waterproof grade IP66, Lightning protection

Dimensions (Unit :mm)



Specifications

MODEL	AFM-CW27AT10 C
Camera	
Image sensor	1/3" Color CMOS Sensor
Effective Pixels	1280(H)×720(V)
S/N Ratio	More than 50dB
Horizontal	1000TVL
Min. Illumination	Color : 0.1Lux@F1.2(AGC ON), 0Lux IR LED on
Electronic Shutter	1/50s~1/100,000s; 1/60s~1/100,000s
Lens	4~9/6~22mm manual zoom change times focal lens(optional)
Video Output	CVBS/1.0Vp-p/75Ω
Sync System	Internal
IR LED	4pcs 850nm IR-III LED array
Day/Night	IR Cut AUTO Switch
White Balance	Auto
BLC	Auto
IR Distance	60 - 80m
General	
Power Supply	DC12V (AC24 optional)
Power Consumption	1.2W/8.4W(IR ON)
Working Environment	-20°C~+50°C
Dimension	284 x 281 x 144mm
Weight	0.97kg(not contain support weight)

* Specifications are subject to change without prior notice.