

AFM-CD58RQ85 C

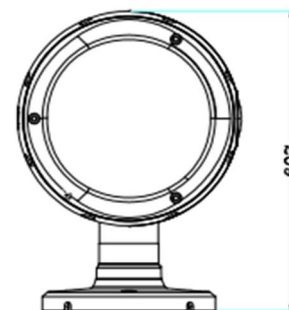
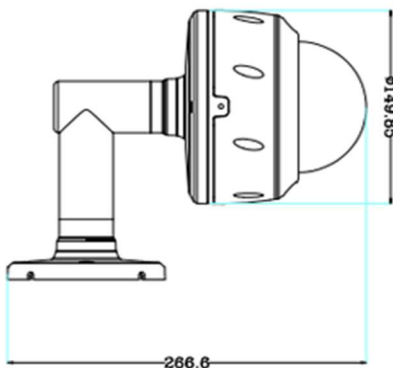
850TVL Waterproof Vandal-proof IR Dome Camera



Key Features

- 1/4" CMOS Sensor
- Minimum Illumination 0.1LUX@(F1.2,AGC ON), 0 LUX with IR
- High resolution 850TVL image is clear delicate
- 30pcs $\Phi 5$ IR LED, IR Distance:15~20M
- Standard 2.8-12/4-9mm external focus lens(optional)
- Support ICR IR filter automatically switches, automatic color to black day and night surveillance
- Waterproof grade IP66, Vandal-proof, Lightning protection

Dimensions (Unit :mm)



Specifications

MODEL	AFM-CD58RQ85 C
Camera	
Image sensor	1/4" Aptina139 CMOS Sensor
Effective Pixels	640(H) \times 480(V)
S/N Ratio	More than 50dB
Min. Illumination	Color : 0.1Lux@F1.2(AGC ON), 0Lux IR LED on
Electronic Shutter	1/50s~1/100,000s; 1/60s~1/100,000s
Lens	2.8-12/4-9mm varifocal lens(optional)
Video Output	CVBS/1.0Vp-p/75 Ω
Sync System	Internal
IR LED	30pcs $\Phi 5$ 850nm IR LED
Day/Night	IR Cut AUTO Switch
White Balance	Auto
BLC	Auto
General	
Power Supply	DC12V (AC24 optional)
Power Consumption	0.84W/3.24W(IR on)
Working Environment	-20 $^{\circ}$ C~+50 $^{\circ}$ C
Dimension	149 x 266mm

* Specifications are subject to change without prior notice.