

AFM-720TV-WDR-B

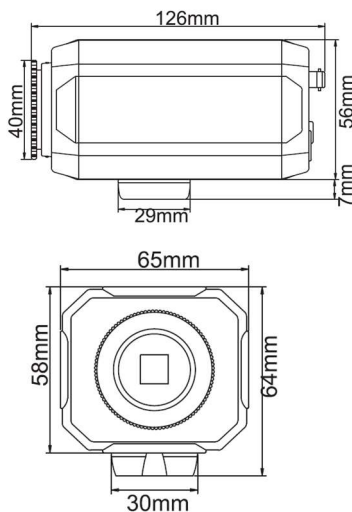
Bullet Camera with 3-Axis built-in Bracket



Key Features

- 1/3" SONY Super HAD CCD II
- Minimum Illumination 0.001Lux/F2.0, 0Lux (with IR LED ON)
- High resolution 720TVL image is clear delicate
- Lightning protection
- WDR – Real WDR

Dimensions (Unit :mm)



Specifications

MODEL	AFM-720TV-WDR-B
Camera	
Image sensor type	1/3" SONY Super HAD CCD II
Image Sensor	ICX663AK
Effective Pixels	NTSC:976(H)×494(V) PAL:976(H)×582(V)
S/N Ratio	More than 52Db
Min. Illumination	0.001Lux/F2.0 , 0Lux (with IR LED ON)
Electronic Shutter	Auto: PAL 1/50-1/100, 000Sec; NTSC 1/60-1/100, 000Sec
Lens	4/68/2.8-12mm lens (option)
Wide Dynamic Range	Real WDR
Video Output	CVBS/1.0Vp-p/75Ω
Sync System	Internal
Gamma Correction	0.45
Scanning System	PAL:625 Lines, 50 Field/Sec;NTSC:525 Lines, 60 Field/Sec
White Balance	Auto
OSD Menu Language	CN, EN, FR, DE, JP, ES, PT, RU
Day/Night	Color/ B&W
Defog	Yes
Sense-up	Yes
Smart-IR	No
Backlight Compensation	Yes
Gain Control	Auto
Noise Reduction	3D NR
Privacy Masking, Digital Zoom , Picture Adjustment, UTC Support	Yes
General	
Power Supply	DC12V,300mA
Anti-cut Bracket	YES, 3-Axis built-in Bracket
Working Environment	-10°C ~ +50°C RH95% Max
Dimension	110(W) x 45(H) x 55(D)mm
Weight	400g

* Specifications are subject to change without prior notice.