

AFM-N81JC7B32-2MW-EIR

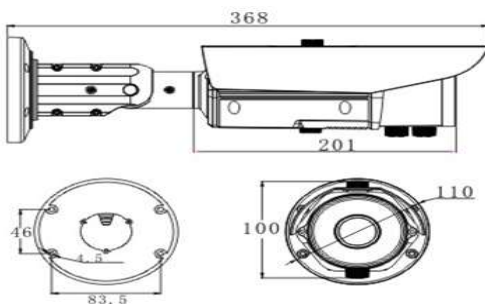
2.1 Megapixel Outdoor Vari-focal IR Bullet Camera



Key Features

- Low power consumption 2.1 Megapixel sensitive CMOS sensor
- 3DDNR and 3A (AE, AGC, AWB) for different applications
- WDR >120dB
- Standard H.264 Video Compression for smooth transmission at low bandwidth
- Dual streaming technology
- Smart IR self-adaption, view distance up to 30m~40m, IR will adjust the luminance according to the light conditions
- True day/night converting with Dual IR-cut filter
- External focal length adjustment mechanism
- Built-in Web server, fully supports remote viewing, configuration and firmware upgrading
- Support PoE for easy installation and maintenance
- Software watchdog available, camera can resume to work automatically
- IP66 Weather Proof and Metal housing
- Motion detection, Privacy mask, I/O alarm function available

Dimensions (Unit :mm)



Specifications

MODEL	AFM-N81JC7B32-2MW-EIR
Camera	
Image sensor	1/2.8" CMOS sensor, 2.1Megapixel
Total Pixels	1920(H) x 1080(V) 2.1 Megapixel
S/N Ratio	More than 50dB
Min. Illumination	Color: 0.2Lux@F1.2; Mono: 0.001Lux@F1.2; 0Lux@F1.2, IR ON
IR Distance	30m~40m
Day & Night	Auto, IR-cut filter
Lens	3.3-10.5mm`
Video	
Video compression	H.264 high profile, MJPEG
Resolutions	1920*1080@30fps,1280*720@30fps,800*600fps,640*360@30fps
Frame rate	PAL: 1~25fps, NTSC: 1~30fps
Video streaming	Support dual stream with H.264, MJPEG
Pan/Tilt Control	1 x RS485
Image Setting	Day & Night
	Auto White Balance
	Auto Exposure
	Privacy Mask
	WDR(Low/Middle/High) >120dB 3DDNR(On/Off)
Output	CVBS : 1.0 Vp-p / 75Ω composite
Alarm In/Out (Optiona)	In: 1, Out: 1, , support bi-direction audio
Network / System Integration	
Security	Password Protection, User access log, HTTPS encryption
Supported protocol	IPv4/ IPv6, RTSP/RTP/RTCP, TCP/UDP, HTTP, DHCP, DNS, FTP, DDNS, PPPoE, SMTP, STP, Multicast, ONVIF
Intelligent video	Motion detection up to 1920x1080
Alarm events	File upload via ftp, E-mail, Notification via email, FTP and TCP
Integration	ONVIF 2.1, SDK or API (H-VMS 4.0/5.0)
Storage Protocol	CIFS, NFS
Physical	
Power Source	DC12V/1.5A, PoE(Power over Ethernet): 802.3af-Optional
Storage	Micro SD / SDHC card, 32GB maximally
Power Consumption	5W (IR LED OFF); 9W (IR LED ON)
Net Weight	1450g (Camera only)
Dimension	312 × 85 (mm)
General	
Operating Temperature	Temperature: -10°C~+60°C
Installation	Surface mount
Quantity of LED	42 pcs
Wavelength	850nm
Functionality	
Recording	Local Recording, NAS recording, SD card recording
Privacy mask	3 areas, adjustable
OSD	Time, Date, Video channel, Channel name and user defined
Reliability	Software watchdog available
Heartbeat	Support

* Specifications are subject to change without prior notice.