

## AFM-VPD200PM2Ti

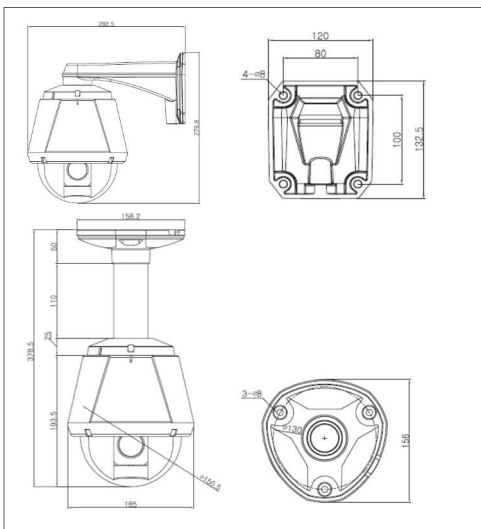
Full HD x20 High Speed PTZ Camera



### Key Features

- \* 2 Megapixel
- \* 20x Auto Focus (f4.7~94mm)
- \* 32x Digital Zoom
- \* Defog
- \* WDR
- \* H.264: 30fps/1080p, MJPEG: 30fps/VGA
- \* IP66
- \* PoE Supported
- \* 12V/DC/5A

### Dimensions (unit: mm)



## Full HD High Speed PTZ Camera

### Specifications

Model	AFM-VPD200PM2Ti		
Camera	Image sensor	1/2.8" 2.1M SONY Progressive scan CMOS	
	Day & Night	Auto/ Color/ BW	
	Environment	IP66	
	Optical Zoom	20X	
	Digital Zoom	32X	
	Lens	20x AF zoom ( f4.7~94mm (F1.6~F3.5))	
	Min. illumination/ Light sensitivity (Lux)	[Color] ICR off: 0.5Lux, ICR on: 0.02Lux [B/W] ICR off: 0.1Lux, ICR on: 0.001Lux	
	Pan	360 Endless (400 deg/sec)	
	Tilt	0~90 deg (400 deg/sec)	
	WDR/BLC	OFF/ WDR/ BLC	
	Noise Reduction	(2D+3DNR) Auto/ Off/ Low/ Middle/ High	
	AE Mode	Auto, Manual, Bright, Shutter Priority, Iris Priority,	
	GAIN Control	Auto/Manual	
	Video	Electronic Shutter	1/30 (25)- 1/60.000 sec
White Balance		Auto/ One push/ Manual/ Indoor/ Outdoor	
Compression		H.264 High Profile, Motion JPEG	
Resolutions		Up to 1920 x 1080	
Frame rate		H.264 Up to 30fps with 1920x1080 MJPEG Up to 30fps with VGA resolution	
Video streaming		Support multi stream with H.264, MJPEG	
		Adjustable frame rate VBR/CBR in H.264	
Image setting		Day & Night	
		Auto White Balance	
		Auto Exposure	
	Effect - Color, Sharpness, Mirror/ V-Flip, etc. Privacy Mask		
Output	BNC x1, 1.0Vp-p, 75 ohm Composite Video, NTSC/PAL		
Audio	Audio streaming	Two-way, full duplex	
	Compression	G.711	
	Sample Rate	8KHZ	
	Data Rate	64Kbps	
	Audio input	Microphone input / 1 x Line-In (Mono)	
	Audio output	Line output/ 1 x Line-Out (Mono)	
Network	Security	Password protection / User access log / HTTPS encryption	
	Supported protocol	HTTP, HTTPS, FTP, SMTP, UPnP, DNS, DynDNS, NTP, RTSP, RTP, TCP, UDP, ICMP, DHCP	
System integration	Intelligent video	Motion detection up to 1920x1080 with 4x3 blocks	
	Alarm trigger	Motion detection/ External input/ Normal Open/ Close Type	
	Alarm events	File upload via ftp, E-mail, Notification via Email, FTP and TCP	
	Video buffer	16MB pre-alarm and post-alarm	
	Recording	Save to MicroSD card with event mode and continuous mode	
	Firmware upgrade	Remote upgrade via network	
	API	CGI Interface document ActiveX Interface(ocx(dll) + document)	
Physical	RESET Button	1 x Factory Reset Button	
	Power Source	DC 12V/5.0A	
	PoE	High PoE (PoE+) 802.3at (Optional)	
	Power Consumption	Max. 36W	
	Weight (Appr.)	Ceiling: 3,200g / Wall: 3,400 g	
Environment	LED's	Power, Network Connection	
	Dimension(mm)	Ceiling: 200(Ø) x 407.8 / Wall: 300(Ø)x309	
Software	Operating Temp.	-25 degree~50 degree Celsius (-13F~122F)	
	Storage Temp.	-25 degree~60 degree Celsius (-13F~140F)	
Package Contents	Included Software: NVR C/S (16 Channel), IP Installer (Windows Only) Network Camera, User Manual, External Power Adaptor (optional), Software CD		

\* Specifications are subject to change without prior notice.

### Ordering information

Type	Series	Environment
VPD	200PM2Ti	X
Speed Dome	200 = Auto Focus (32x-Digital)	None = Outdoor (default: Wall mount bracket) CB = Outdoor (with Ceiling mount bracket)

### Accessories

Model No.	Series
WB200	Wall mount bracket
CB200	Ceiling mount bracket
PM200	Pole mount bracket
CM200	Corner mount bracket