

## AFM-VPD101PM2Ti

Full HD 2 Megapixel MINI PTZ IP Camera  
X10 Zoom

Full HD – Mini PTZ

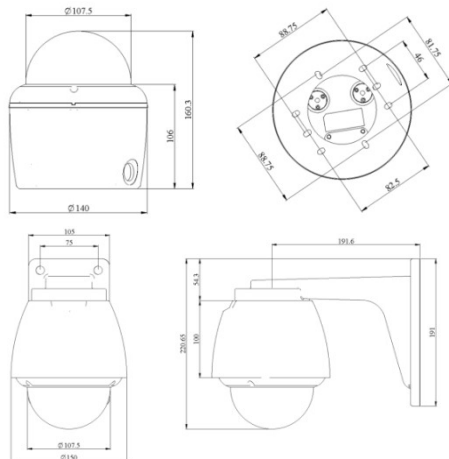


### Key Features



- 2 Megapixel 1/2.8" SONY progressive scan CMOS image sensor for excellent image quality (Exmor)
- 10x Auto Focus Optical Zoom
- 32x Digital Zoom
- Supports WDR, Defog, 2D/3DNR(Digital Noise Reduction)
- 360 degree endless panning
- H.264: 30fps/1080p, M.JPEG: 30fps/VGA (WDR ON : 15fps/1080p, 15fps/VGA)
- 12VDC/PoE (IEEE802.3af) Supported (or FAN/Heater Supported) Self-assembly
- Conformant with ONVIF Profile-S
- Includes Windows based IP Installer and license-free 16 channel NVR Software
- IP 66

### Dimensions (Unit :mm)



### Specifications

MODEL	AFM-VPD101PM2Ti
<b>System</b>	
CPU	32-bit ARM9 RISC CPU up to 432MHz
Flash	128 Mbyte
SDRAM	128 Mbyte
<b>Camera</b>	
Image sensor	2.0 Megapixel 1/2.86" Panasonic CMOS sensor
Total Pixels	1,956(H) x 1,266(V) 2.4 Megapixel
Effective Pixels	1,944(H) x 1,212(V) 2.3 Megapixel
Zoom Ratio	Optical x10, Digital x32 Zoom
Focal Length	F= 5.1mm ~ 51mm
S/N Ratio	More Than 50dB
Min. Illumination	Color: 0.5 Lux, B/W: 0.1 Lux, Color DSS: 0.002 Lux, B/W DSS: 0.001 Lux
Day & Night	Auto/Day/Night
AGC	Off/On
Shutter Speed	1/30(25)~1/60,000 sec
WDR/BLC	OFF/WDR/BLC
White Balance	Auto/Open Push/Manual/Indoor/Outdoor
DNR	Auto/Off/Low/Middle/High
Pan / Tilt	Pan: 360 deg.(300 deg/sec) Tilt: -3~180 deg (300 deg/sec)
<b>Video</b>	
Video compression	H.264 High Profile, Motion JPEG
Resolutions	Up to 1920 x 1080 (Full HD)
Frame rate	H.264 Up to 30fps with 1920x1080 MJPEG Up to 30fps with VGA resolution
Video streaming	Support multi stream with H.264, MJPEG Dual, H.264+H.264+MJPEG Triple Adjustable frame rate VBR/CBR in H.264
Image Setting	Day & Night Auto White Balance Auto Exposure Privacy Mask Effect-Color, Sharpness, Mirror/V-Flip, etc.
<b>Audio / Alarm (Optional)</b>	
Audio Streaming	Two Way, Full duplex
Audio Input	Microphone input /1 x Line-In(Mono)
Audio Output	Line output/ 1 x Line-Out (Mono)
Alarm In/Out (Optional)	DI X2, DO X1
<b>System Integration</b>	
Security	Password Protection, User access log, HTTPS encryption
Supported protocol	HTTP, HTTPS, FTP, SMTP, UPnP, DNS, DDNS, NTP, RTSP, RTP, TCP, UDP, ICMP, DHCP
Intelligent video	Motion detection up to 1920x1080 with 4x3 blocks
Alarm events	File upload via ftp, E-mail, Notification via email, FTP and TCP
Video buffer	5MB pre-alarm and post-alarm-180sec
Recording	Saves to MicroSD Card with event mode and continuous mode
Firmware upgrade	Remote upgrade via network
API	CGI Interface document, ActiveX Interface(ocx/dll) + document)
<b>Physical</b>	
Reset Button	1 x Factory Reset Button
Power Source	DC12V/3A
Storage	Micro SD Slot - Optional
Power Consumption	Max. 11W
Net Weight	1,710g (Ceiling) , 2,160g (Wall)
LED's	Network Connection
Dimension (mm)	140(Ø) X 160.3(H)
<b>General</b>	
Operating Temperature	-20 degree~50 degree Celsius(14F~122F)
Storage Temperature	-30 degree~60 degree Celsius(-4F~140F)
Protection Level	IP66, Surge Protection (4KV)
<b>Software</b>	
Included Software	NVR C/S (16 Channel), IP Installer (Windows only)

\* Specifications are subject to change without prior notice.